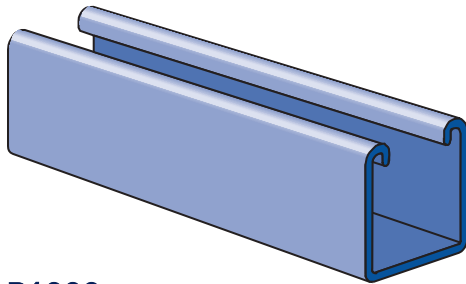


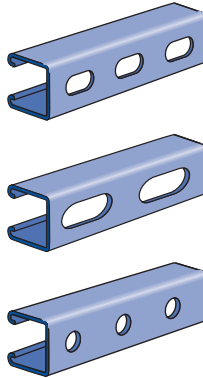
## Channel – Rigid Brace

**P1000, P1000T, P1000WT, P1000HS - 1 5/8" X 1 5/8" X 12 GA.**

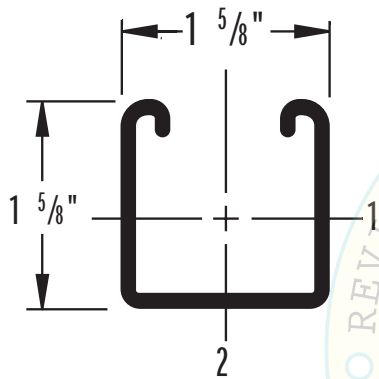
### PIERCED OPTIONS



**P1000**



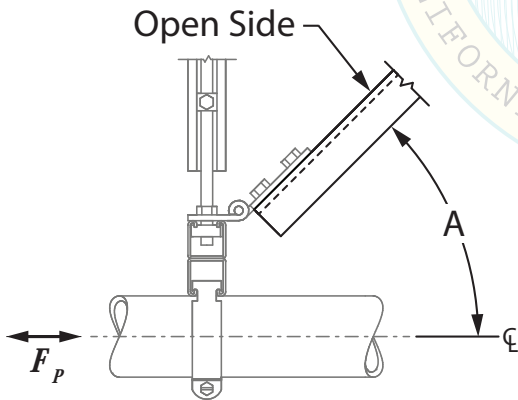
<b>P1000T</b>	3/16" x 1 1/8" Slots 2" on Center
<b>P1000WT</b>	11/16" x 2" Slots 3" on Center
<b>P1000HS</b>	3/16" Dia. Holes 1 7/8" on Center



Span (ft.)	Maximum Horizontal $F_p$ Force (lbs) [ASD]			
	Angle "A"			
	0° +5° / -0°	30° +5° / -25°	45° +5° / -10°	60° +0° / -10°
2'	3,440	2,970	2,430	1,720
3'	3,140	2,710	2,220	1,570
4'	2,750	2,380	1,940	1,370
5'	2,380	2,060	1,680	1,190
6'	2,080	1,800	1,470	1,040
7'	1,860	1,610	1,310	930
8'	1,670	1,440	1,180	830
9'	1,510	1,300	1,060	750
10'	1,380	1,190	970	690

**Notes:**

- 1) These values apply only to Unistrut brand products. Unistrut channels are stamped with the name "UNISTRUT".
- 2) Max  $F_p$  shown is based on P1000WT. Max  $F_p$  can be increased for different strut types based on section properties shown on page 4c.1.
- 3) Max allowable force  $F_p$  may be limited by the capacities of the brace fitting, channel nut or rod connection, trapeze support, anchorage, or capacity of another component.



**Atkore™**  
**Unistrut**

16100 S. Lathrop Ave  
Harvey, IL 60426  
Toll-Free: (800) 882-5543

[www.unistrutseismic.com](http://www.unistrutseismic.com)

*Rami Elhassan*  
Structural Engineer: Rami Elhassan  
California SE No. 3930

Page:

4a.1