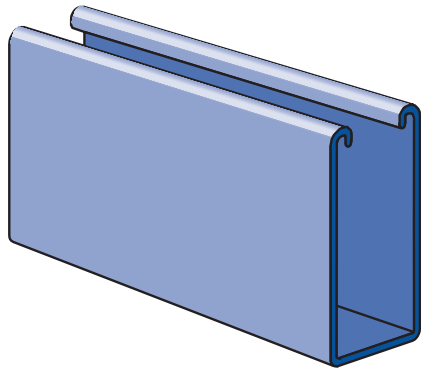
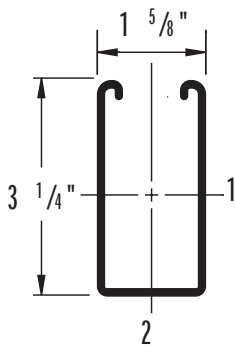


Channel – Rigid Brace

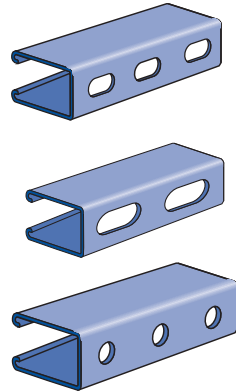
P5000, P5000T, P5000WT, P5000HS - 1 5/8" X 3 1/4" X 12 GA.



P5000



PIERCED OPTIONS

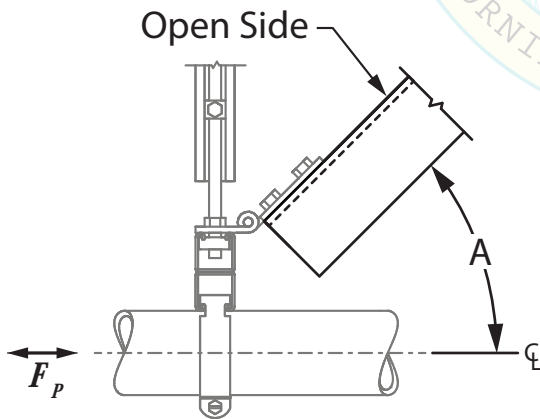


P5000T	9/16" x 1 1/8" Slots 2" on Center
P5000WT	11/16" x 2" Slots 3" on Center
P5000HS	9/16" Dia. Holes 1 7/8" on Center

Span (ft.)	Maximum Horizontal F_p Force (lbs) [ASD]			
	Angle "A"			
	0° +5° / -0°	30° +5° / -25°	45° +5° / -10°	60° +0° / -10°
2'	5,490	4,750	3,880	2,740
3'	4,640	4,010	3,280	2,320
4'	3,560	3,080	2,510	1,780
5'	2,730	2,360	1,930	1,360
6'	2,160	1,870	1,520	1,080
7'	1,760	1,520	1,240	880
8'	1,500	1,290	1,060	750
9'	1,310	1,130	920	650
10'	1,170	1,010	820	580
12'	980	840	690	490
14'	850	730	600	420

Notes:

- 1) These values apply only to Unistrut brand products. Unistrut channels are stamped with the name "UNISTRUT".
- 2) Max F_p shown is based on P5000WT. Max F_p can be increased for different strut types based on section properties shown on page 4c.1.
- 3) Max allowable force F_p may be limited by the capacities of the brace fitting, channel nut or rod connection, trapeze support, anchorage, or capacity of another component.



16100 S. Lathrop Ave
Harvey, IL 60426
Toll-Free: (800) 882-5543

www.unistrutseismic.com

Structural Engineer: Rami Elhassan
California SE No. 3930

Page:

4a.5