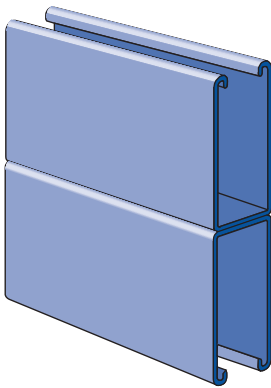


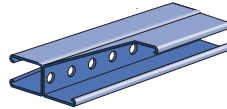
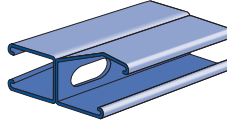
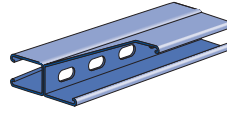
Channel – Rigid Brace

P5001, P5001T, P5001WT, P5001HS - 1 5/8" X 6 1/2" X 12 GA.

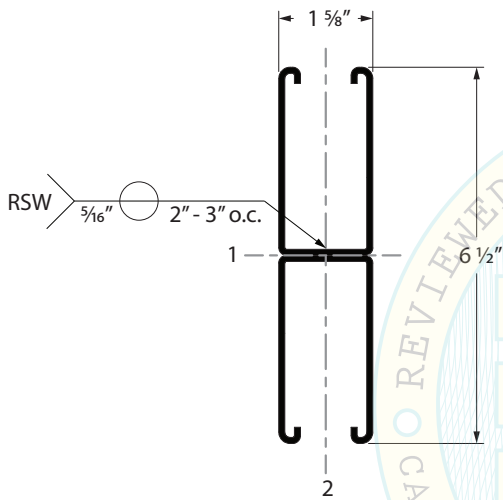


P5001

PIERCED OPTIONS



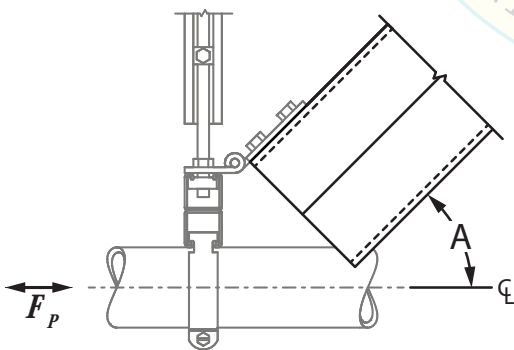
P5001T	1/16" x 1 1/8" Slots 2" on Center
P5001WT	1 1/16" x 2" Slots 3" on Center
P5001HS	1/16" Dia. Holes 1 7/8" on Center



Span (ft.)	Maximum Horizontal F_p Force (lbs) [ASD]			
	Angle "A"			
	0° +5° / -0°	30° +5° / -25°	45° +5° / -10°	60° +0° / -10°
2'	7,160	6,200	5,060	3,580
3'	10,130	8,770	7,160	5,060
4'	9,750	8,440	6,890	4,870
5'	9,140	7,910	6,460	4,570
6'	8,440	7,300	5,960	4,220
7'	7,780	6,730	5,500	3,890
8'	7,160	6,200	5,060	3,580
9'	6,560	5,680	4,630	3,280
10'	5,740	4,970	4,050	2,870
12'	4,370	3,780	3,090	2,180
14'	3,400	2,940	2,400	1,700

Notes:

- 1) These values apply only to Unistrut brand products. Unistrut channels are stamped with the name "UNISTRUT".
- 2) Max F_p shown is based on P5001WT. Max F_p can be increased for different strut types based on section properties shown on page 4c.1.
- 3) Max allowable force F_p may be limited by the capacities of the brace fitting, channel nut or rod connection, trapeze support, anchorage, or capacity of another component.



Atkore
Unistrut

16100 S. Lathrop Ave
Harvey, IL 60426
Toll-Free: (800) 882-5543

www.unistrutseismic.com

Rami Elhassan
Structural Engineer: Rami Elhassan
California SE No. 3930

Page:

4a.6