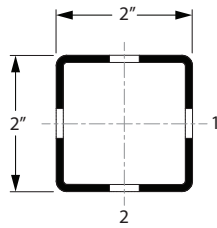
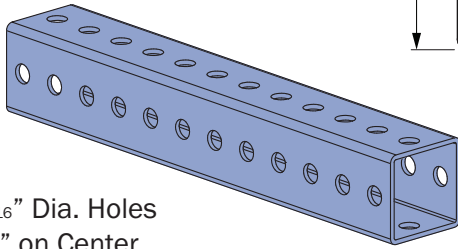


Telespar – Rigid Brace

20F12

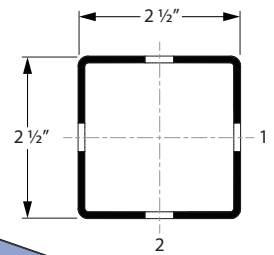
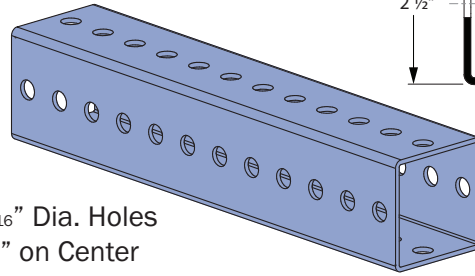
2" x 2" x 12 ga



7/16" Dia. Holes
1" on Center

24F12

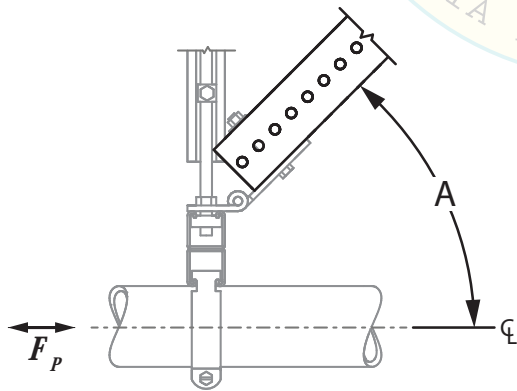
2 1/2" x 2 1/2" x 12 ga.



7/16" Dia. Holes
1" on Center

Span (ft.)	Angle "A"			
	0° +5° / -0°	30° +5° / -25°	45° +5° / -10°	60° +0° / -10°
2'	7,860	6,800	5,550	3,930
3'	7,660	6,630	5,410	3,830
4'	7,360	6,370	5,200	3,680
5'	6,980	6,040	4,930	3,490
6'	6,520	5,640	4,610	3,260
7'	5,970	5,170	4,220	2,980
8'	5,350	4,630	3,780	2,670
9'	4,680	4,050	3,300	2,340
10'	4,050	3,500	2,860	2,020
12'	3,100	2,680	2,190	1,550
14'	2,420	2,090	1,710	1,210
16'	1,940	1,680	1,370	970

Span (ft.)	Angle "A"			
	0° +5° / -0°	30° +5° / -25°	45° +5° / -10°	60° +0° / -10°
2'	10,780	9,330	7,620	5,390
3'	10,600	9,170	7,490	5,300
4'	10,350	8,960	7,310	5,170
5'	10,020	8,670	7,080	5,010
6'	9,620	8,330	6,800	4,810
7'	9,140	7,910	6,460	4,570
8'	8,590	7,430	6,070	4,290
9'	7,970	6,900	5,630	3,980
10'	7,300	6,320	5,160	3,650
12'	5,850	5,060	4,130	2,920
14'	4,700	4,070	3,320	2,350
16'	3,820	3,300	2,700	1,910
18'	3,160	2,730	2,230	1,580
20'	2,650	2,290	1,870	1,320



Notes:

- 1) Not to be used in a telescoping manner.
- 2) Max allowable force F_p may be limited by the capacities of the brace fitting, channel nut or rod connection, trapeze support, anchorage, or capacity of another component.

Atkore
Unistrut

16100 S. Lathrop Ave
Harvey, IL 60426
Toll-Free: (800) 882-5543

www.unistrutseismic.com

Structural Engineer: Rami Elhassan
California SE No. 3930

Page:

4a.7