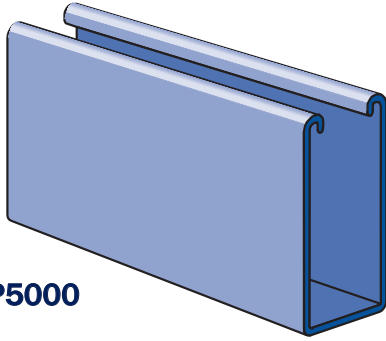
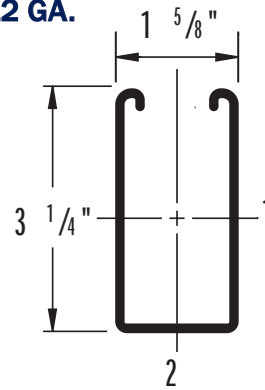


## Channel - Beam Loading

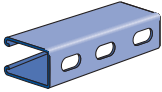
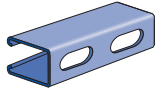
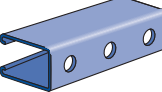
**P5000, P5000T, P5000WT, P5000HS - 1 5/8" X 3 1/4" X 12 GA.**



**P5000**



### PIERCED OPTIONS

	$\frac{9}{16}$ " x 1 $\frac{1}{8}$ " Slots 2" on Center
<b>P5000T</b>	
	$1\frac{1}{16}$ " x 2" Slots 3" on Center
<b>P5000WT</b>	
	$\frac{9}{16}$ " Dia. Holes 1 $\frac{7}{8}$ " on Center
<b>P5000HS</b>	

Beam Loads [ASD] Axis 1-1							
Span	Maximum Allowable Uniform Load ( $V_{allow}$ )	Deflection at Uniform Load	Uniform Loading at Deflection			Unbraced Length	
			Span/180 ( $D_{allow}$ )	Span/240 ( $D_{allow}$ )	Span/360 ( $D_{allow}$ )	(ft)	Factor ( $\Phi_{LV}$ )
(ft)	(lbs)	(in)	(lbs)	(lbs)	(lbs)		
2	4,820	0.03	4,820	4,820	4,820	2	0.98
3	3,210	0.07	3,210	3,210	3,210	3	0.85
4	2,410	0.13	2,410	2,410	2,410	4	0.70
5	1,930	0.20	1,930	1,930	1,630	5	0.55
6	1,610	0.28	1,610	1,610	1,130	6	0.44
7	1,380	0.39	1,380	1,250	830	7	0.38
8	1,200	0.50	1,200	960	640	8	0.33
9	1,070	0.64	1,010	760	500	9	0.30
10	960	0.78	820	610	410	10	0.28
12	800	1.13	570	420	280	12	0.24
14	690	1.55	420	310	210	14	0.22
16	600	2.01	320	240	160	16	0.21
18	540	2.57	250	190	130	18	0.19
20	480	3.14	200	150	100	20	0.18

**Notes:**

- 1) Values in this table apply to P5000, P5000T, P5000WT, and P5000HS channels
- 2) Refer to page 4b.0 for the calculation procedure
- 3) Channel Weight ( $W_{channel}$ ): 3.05 lbs/ft
- 4) Allowable Moment ( $M_{allow}$ ): 14,450 in-lbs
- 5) Beam loads are provided in total uniform load, not uniform loading (e.g. lbs/ft or lbs/in)
- 6) These values apply only to Unistrut brand products. Unistrut channels are stamped with the name "UNISTRUT".



16100 S. Lathrop Ave  
Harvey, IL 60426  
Toll-Free: (800) 882-5543

[www.unistrutseismic.com](http://www.unistrutseismic.com)

Structural Engineer: Rami Elhassan  
California SE No. 3930

Page:

**4b.5**