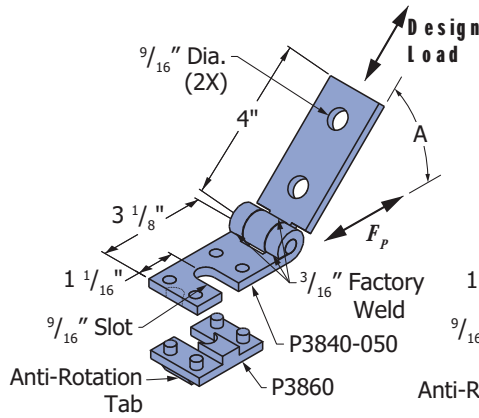


Brace Fittings

BRACE FITTINGS – RETROFIT, HINGED

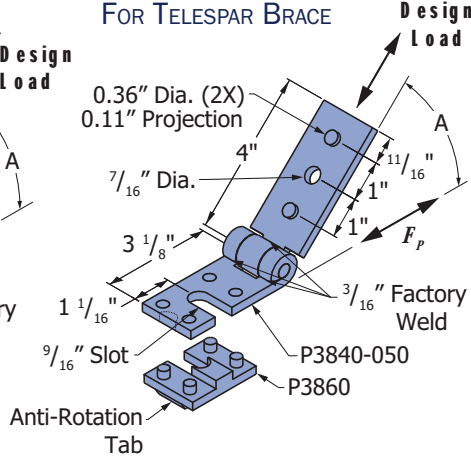
P3840-050 + P3860

FOR STRUT BRACE

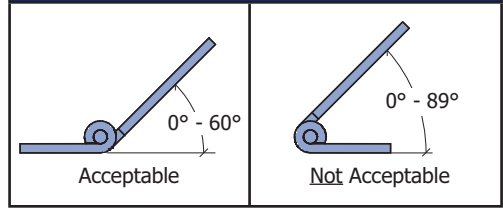


P3845-050 + P3860

FOR TELES PAR BRACE



All Fittings on This Page

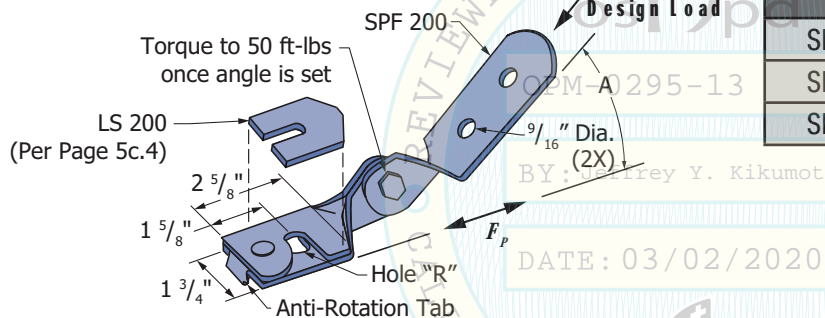


Fittings: P3840-050, P3845-050

Angle (A) from Horizontal	Design Load (lbs)	F_p (lbs)
30° +5° / -25°	2,136	1,850
45° +5° / -10°	1,397	985
60° +0° / -10°	1,462	730

SPF 200-XXX + LS 200

FOR STRUT BRACE



Part No.	Rod Size	Rod Hole Size "R" (Dia.)
SPF 200-050	1/2"	9/16"
SPF 200-062	5/8"	1 1/16"
SPF 200-075	3/4"	1 3/16"

Angle (A) from Horizontal	Design Load (lbs)	F_p (lbs)
30° +5° / -25°	1,042	900
45° +5° / -10°	821	580
60° +0° / -10°	667	330

Material / Finish Specifications
All Fittings on This Page Except P3860

Material: ASTM A1011 SS Grade 33 min. or
ASTM A1011 HSLAS Grade 45 min.

Finish: ASTM B633 Type III SC1 (EG)

Note:

- 1) Loads based on 1/2" HHCS or HSSB Bolt, and 1/2" Channel Nut.
- 2) All fitting connections must conform to one of the details in Section 5a. All holes in each fitting must have one of these connections unless otherwise noted in the above details. Other components are hidden on this page for clarity.
- 3) Fitting dimensions (all this page) unless otherwise noted: Hole Diameter: 9/16"; Hole Spacing - From End: 1 3/16"; Hole Spacing - On Center: 1 7/8"; Width: 1 5/8"; Thickness: 1/4" or 0.22".
- 4) P3845-050 is to be connected to Telespar per Page 5a.8 and capacities on that page may govern.
- 5) P3840-050 and P3845-050 may have a partial hole as shown with dotted lines in the images above.



16100 S. Lathrop Ave
Harvey, IL 60426
Toll-Free: (800) 882-5543

www.unistrutseismic.com

Structural Engineer: Rami Elhassan
California SE No. 3930

Page:

5c.3