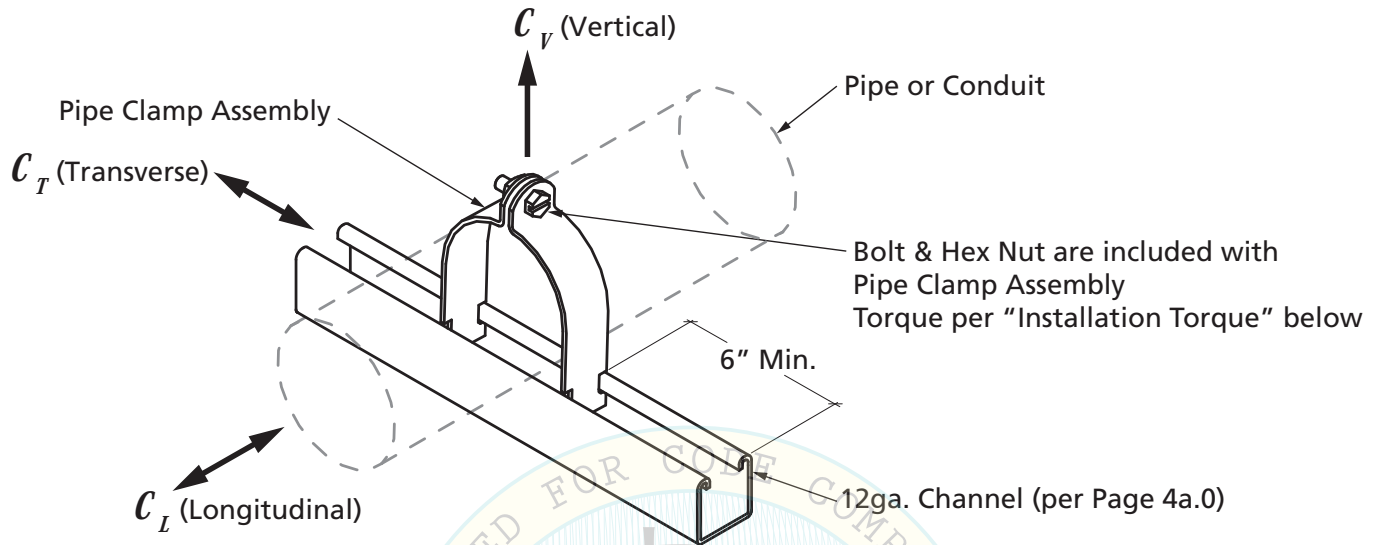


Pipe, Conduit & Tube Clamps

EMT & IMC CONDUIT CLAMPS

P1400 SERIES

FOR THIN WALL CONDUIT (EMT & IMC)



P1400 Series Pipe Clamps - For EMT, IMC Conduit

Pipe Clamp Part Number	Nominal Pipe Size	Maximum Horizontal F_p Force (lbs)			Installation Torque (ft-lbs)
		Max. Vertical Capacity (lbs) C_v Vertical	C_t Transverse	C_l Longitudinal	
P1426	1/2"	340	270	345	6
P1427	3/4"	340	270	345	6
P1428	1"	1,015	325	605	6
P1429	1 1/4"	1,015	325	505	6
P1430	1 1/2"	1,015	325	505	11
P1431	2"	1,555	335	505	11
P1118	2 1/2"	1,475	335	505	11
P1119	3"	1,475	335	505	11
P1120	3 1/2"	1,475	335	505	19
P1121	4"	1,475	545	640	19

Note:

1) See Page 5d.4 for full product specifications.



16100 S. Lathrop Ave
Harvey, IL 60426
Toll-Free: (800) 882-5543

www.unistrutseismic.com

Structural Engineer: Rami Elhassan
California SE No. 3930

Page:

5d.2