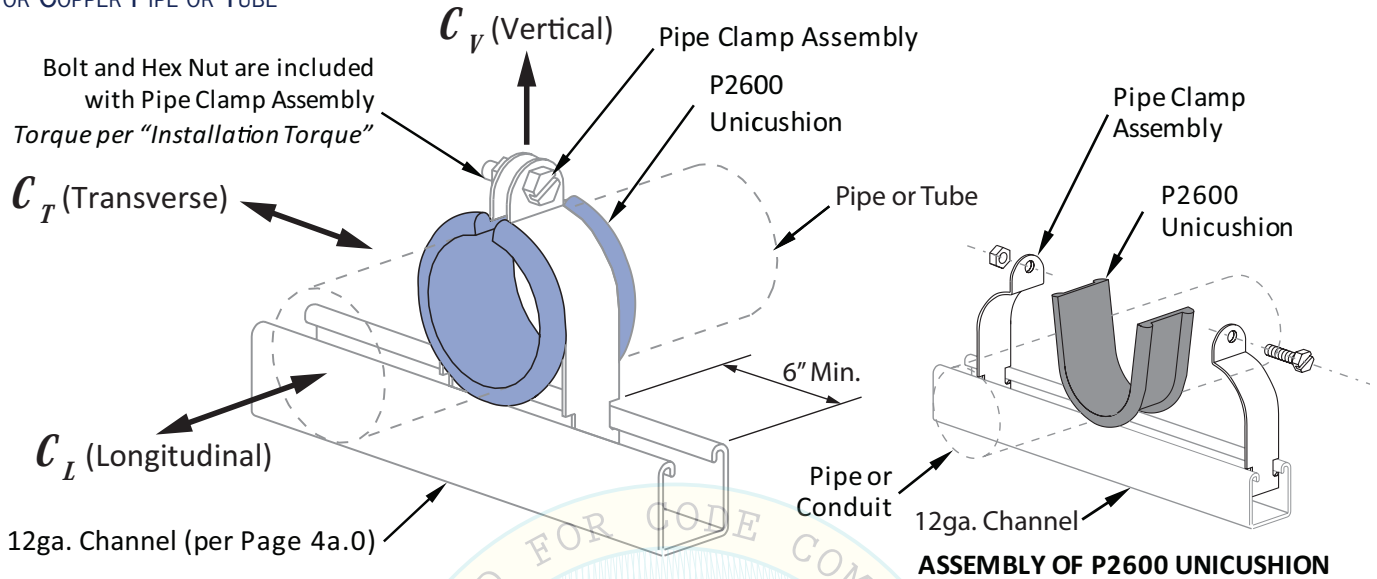


Pipe, Conduit & Tube Clamps

COPPER PIPE & TUBE CLAMPS

P2000 SERIES & P1430 + P2600 UNICUSHION

FOR COPPER PIPE OR TUBE



P2000 Series & P1430 Pipe Clamps - For Copper Pipe or Tube (Types K, L, M)

Pipe Clamp Part Number	P2600 UNICUSHION Part Number	P2600 UNICUSHION Cut Length	Nominal Pipe Size	Max. Vertical Capacity (lbs)	Maximum Horizontal F_p Force (lbs)		Installation Torque (ft-lbs)
					C_V Vertical	C_T Transverse	
P2027	P2600	1 1/2"	3/8"	130	75	65	6
P2028	P2600	2 1/8"	1/2"	130	75	65	6
P2029	P2600	2 1/4"	5/8"	130	75	65	6
P2030	P2600	3"	3/4"	355	100	85	6
P2032	P2600	3 5/8"	1"	355	100	85	6
P2034	P2600	4 1/2"	1 1/4"	355	100	85	6
P1430	P2600	5 1/4"	1 1/2"	355	100	85	11
P2040	P2600	6 3/4"	2"	1,165	265	290	11
P2044	P2600	8 1/4"	2 1/2"	1,165	265	290	11
P2048	P2600	10"	3"	1,165	265	290	11
P2052	P2600	11 1/4"	3 1/2"	1,165	265	290	19
P2056	P2600	12 1/2"	4"	1,525	275	435	19

Note:

1) See Page 5d.4 for full product specifications.



16100 S. Lathrop Ave
Harvey, IL 60426
Toll-Free: (800) 882-5543

www.unistrutseismic.com

Rami Elhassan
Structural Engineer: Rami Elhassan
California SE No. 3930

Page:

5d.3